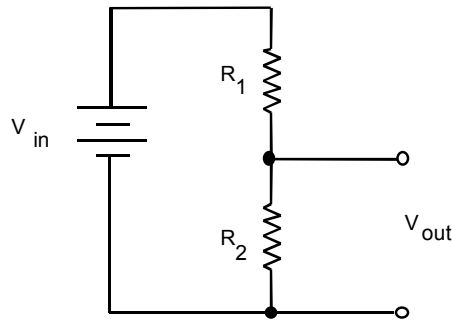


29:128 Homework Problems

29:128 Homework 0 (30 points)

reference: Chapter 1 of Horowitz and Hill, 2nd Edition

- (1) In the circuit shown below, $V_{in} = 9\text{ V}$, $R_1 = 1.5\text{ k}\Omega$, $R_2 = 5.6\text{ k}\Omega$,
- Calculate V_{out}
 - Calculate the power dissipated in R_1 and R_2 .
 - Is a $\frac{1}{4}$ Watt resistor sufficient, or should you buy a resistor rated for a higher level of heat dissipation?



- (2) Repeat (1), but with $R_1 = 1.5\ \Omega$, $R_2 = 5.6\ \Omega$.
- (3) Suppose you have two ac signals, which we'll call signals A and B , which are sine waves that have *peak-to-peak* amplitudes of 30 mV and 600 mV, respectively.
- What is the dB for signal A , as compared to signal B ?
 - Your answer to (a) was either positive or negative. What is the significance of this sign?
 - What are the *peak* voltages for signals A and B ?
 - What are the *rms* voltages for signals A and B ?

29:128 Homework 1 (30 points)

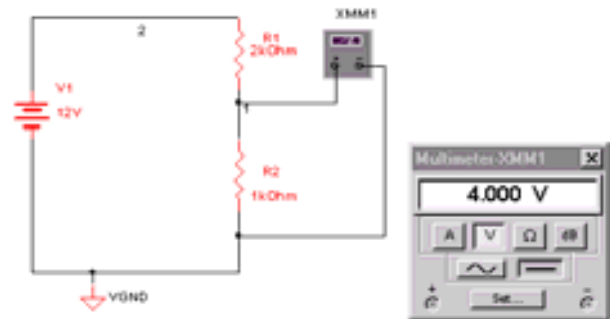
reference: Chapter 1 of Horowitz and Hill, 2nd Edition

notes:

- MultiSym is required for this homework set. Complete your work in 201 VAN before 5 PM. See Larry Schroeder in 210 VAN for technical assistance with printers or PCs.
- You should hand in pages of hand-written solutions, pages printed from MultiSym, and the page of this question sheet that has the table for problem 3.

(1)

(a) *Easy voltage divider problem.* Use Multi-sym to make a voltage divider circuit as shown, as shown in the screen shot to the right. For the resistors, use a “virtual” resistor, and add a multimeter as shown. Attach printouts of (i) the circuit and (ii) the multimeter display (it’s called an “instrument map” in Multisym’s print menu).



(b) Now change the component values to the following: $V1 = 9\text{ V}$, $R1 = 1.4\text{ k}\Omega$ and choose a value for $R2$ that will result in an output voltage of 5.0 V . Attach printouts of the circuit and multimeter display, and show a calculation of $R2$.

(2) Notes:

- This problem is related to a diode experiment in Laboratory 3, and you will find the problem easiest to do after you have done the lab.
- Be careful not to confuse *peak* and *rms* amplitudes. Review these two concepts for ac signals, if you're not sure.
- See Horowitz & Hill Exercise 1.27

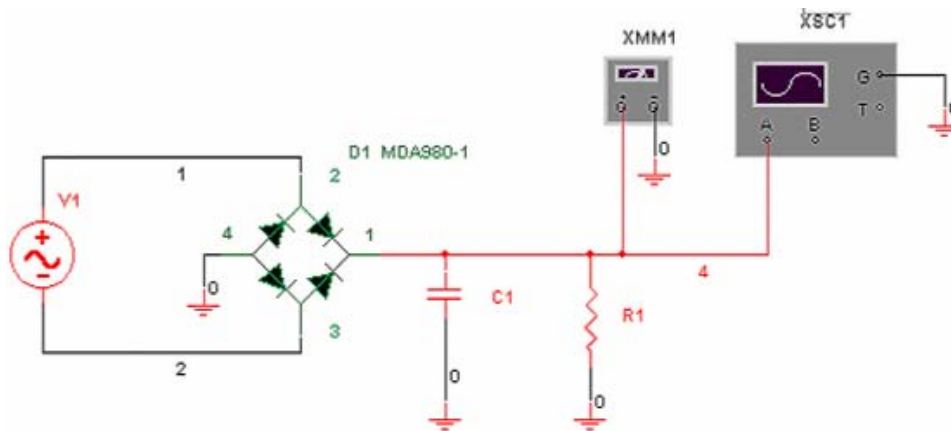
(a) Solve the problem on paper. What you are supposed to do is choose the values of

- (i) the *rms* voltage output of the transformer and
- (ii) the value of the capacitor. (Notes: * Be careful not to confuse rms with peak values. * The electrical power in North America is 60 Hz. *Pay attention to diode drops – and to how many are experienced by the current as it makes a round trip from one side of the transformer secondary to the other.)

(b) What type of capacitor (ceramic, mylar, etc.) would you use?

(c) What is the value of the load resistance R_{load} , if the output current is

$I_{out} \leq 10$ mA. (Specify your result as either $R_{load} \leq X \Omega$ or $R_{load} \geq X \Omega$, whichever is appropriate.)



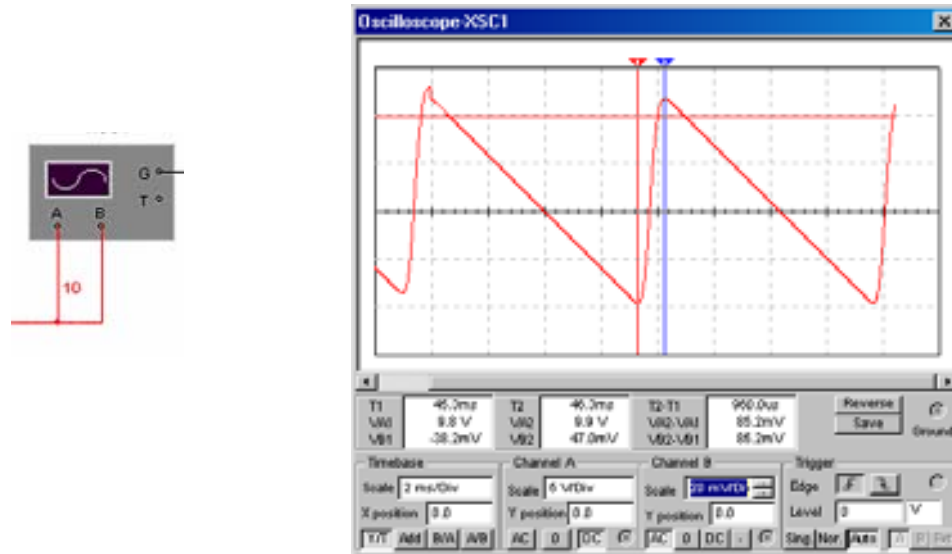
(d) Set this circuit up as a simulation, using Multisim, as shown in the screenshot. The component values are hidden; you should use the values you found in part (a). Instead of using Multisim's transformer, use its ac voltage source, and specify the *peak* voltage corresponding to your result for 2 (a) (i).

(i) Choose the load resistor that you calculated for $I_{out} = 10$ mA. Your circuit should begin with an ac voltage source that produces the ac voltage that you calculated in (a) as the desired output of the transformer. Be careful not to confuse rms with peak values of voltage. Use the MDA980-1 bridge rectifier. Attach a printout showing the circuit.



ac voltage source

(ii) Set up an “oscilloscope” display. You will need to observe the waveform two ways, dc coupled to show the dc output level, and ac coupled to better show the ripple. You can connect the circuit’s output to both the A and B channels to show both the dc and ac coupled signals at the same time, as shown in the screenshots.



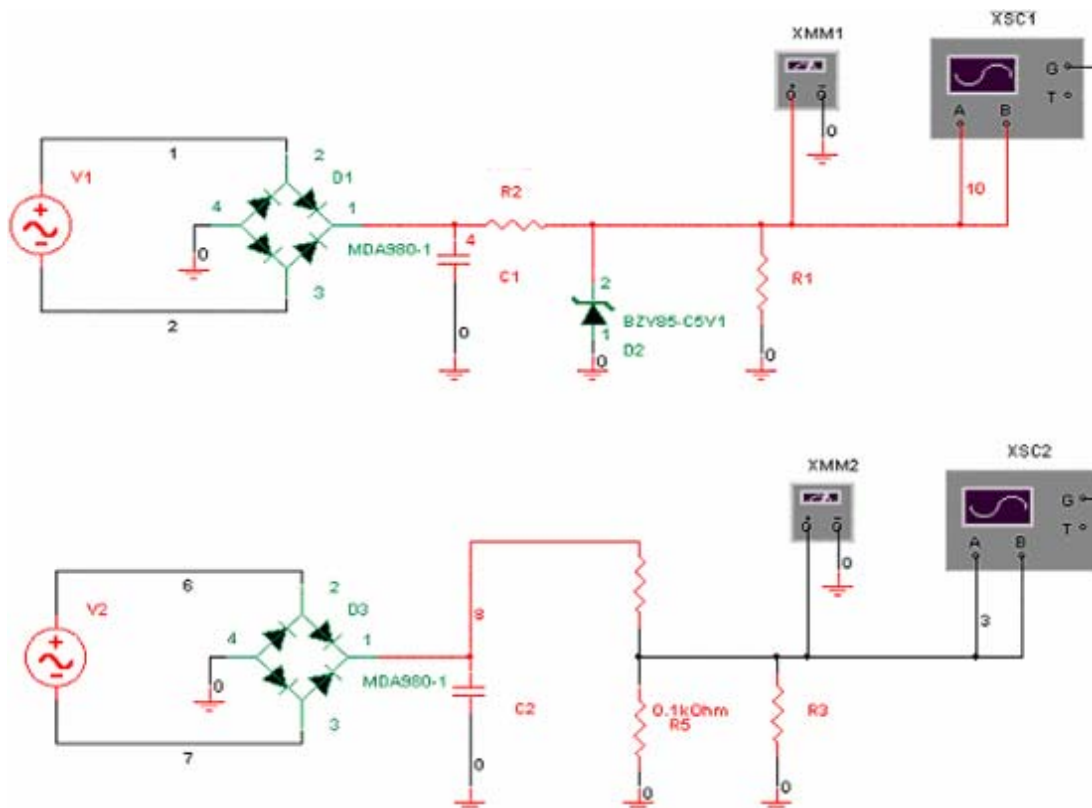
Be sure to choose vertical and horizontal scales that are suitable so that the signal with its peaks is easily seen and measured; the screenshot is a good example

Use the two cursors to measure the voltage at the maximum and the minimum of the ripple; see the screenshot for an example.

Attach printouts of the oscilloscope display (it’s called an “instrument map” in Multisim’s print menu), showing both dc coupling, and ac coupling.¹

¹ For ac coupling, allow the oscilloscope trace to refresh itself twice before stopping and printing, otherwise you will only see an uninteresting transient at the beginning.

- (3) Suppose that you now decide that what you really want is a 5 V power supply. Here you will test two ways of adding components to your circuit above to achieve a 5 V output. The screenshot shows both ways, with some component values hidden. When you are asked for a DC voltage, you must decide which instrument gives the best result.



- (a) After the filter capacitor, include a 5.1 V zener diode (for example, Philips BZV85-C5V1) with a series resistor. (i) Choose a value for the series resistor by testing two values, $100\ \Omega$ and then $1000\ \Omega$, to see which gives you a smaller ripple. Report the corresponding peak-to-peak ripple values, as measured after the zener diode, and identify the value for the series resistor that gives the smaller ripple (Thereafter, always use that value for the series resistance.) (ii) Choose a value for the load resistor, which is located after the zener regulator; choose a value to achieve a load current of 10 mA (at 5 Volts). Attach a printout of your circuit. (iii) Set up an “oscilloscope” display first with dc coupling showing the peak dc output and then with ac coupling showing the peak-to-peak ripple. (Be sure to choose vertical and horizontal scales that are suitable so that the signal with its peaks is easily seen and measured.) Using the cursor measurements, measure the peak-to-peak ripple. Also measure the DC voltage (note that at the end, you will need to calculate a difference of this DC voltage and another

nearly equal DC voltage, so it is necessary to measure the DC voltage with sufficient digits.) Attach printouts of instrument maps.

(iv) Repeat (iii) with the load resistance increased to $1\text{ G}\Omega$ (so that there is essentially zero output current through the load).

(b) Repeat parts ii-iv above, but instead of the zener diode and its series resistor, use a pair of resistors in series, to form a voltage divider. Use the same load resistor that you used above in part (a)(i). For the resistor in parallel with your load, use 100 Ohms. Calculate the value of the other resistor yourself, to achieve the desired output voltage (as measured with the load resistor, not as measured with a $1\text{ G}\Omega$ load).

(c) Fill out this table, and hand it in with your solutions (you may make a handwritten version of the table if you wish, so that you can keep the original copy of this page):

<i>Method of reducing output voltage to 5 V.</i>	<i>dc output voltage (V)</i>	<i>ripple voltage peak-to-peak (mV)</i>
Zener regulator, with 10 mA output current through load		
Zener regulator, with 0 mA output current through load		
Difference in DC voltage		XXXXXXXXXX XXXXXXXXXX

Voltage divider, with 10 mA output current		
Voltage divider, with 0 mA output current through load		XXXXXXXXXX XXXXXXXXXX
Difference in DC voltage		XXXXXXXXXX XXXXXXXXXX

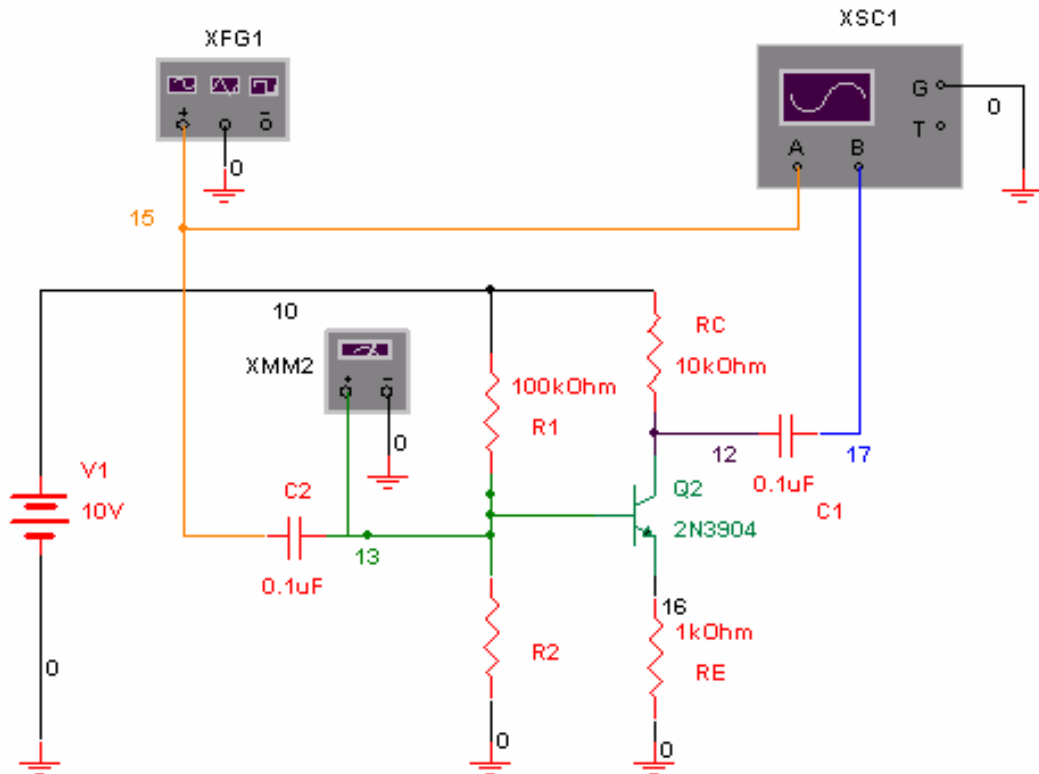
(d) State which method of reducing the output voltage to 5 V is more desirable (voltage divider or zener)? Write down *two* reasons for your answer.

29:128 Homework 2 (20 points)

reference: Chapter 2 of Horowitz and Hill, 2nd Edition

note: this homework assignment requires the use of MultiSym to simulate a circuit.

- (1) Common-emitter amplifier. Use Multisim to connect the circuit shown in the screen shot below.
 - (a) The value of R2 is not shown. (i) Choose a standard value for 5% resistors, as tabulated in Appendix C, to achieve a base bias that results in the most symmetric output waveform possible. Show your calculation, including a result for the base bias that you intend to achieve. (ii) Run the simulation with a sine wave amplitude of approximately 600 mV and observe the clipping. (iii) Vary the value of R2 to test whether you chose the optimal value. After you are certain that you have chosen the optimum value of a standard 5% resistor,



attach a printout² of the circuit schematic diagram as shown below (but showing the value of R2), and a printout of the oscilloscope display showing the clipping of the output waveform. (iv) Use the multimeter to measure the dc voltage on the base, and report this value.

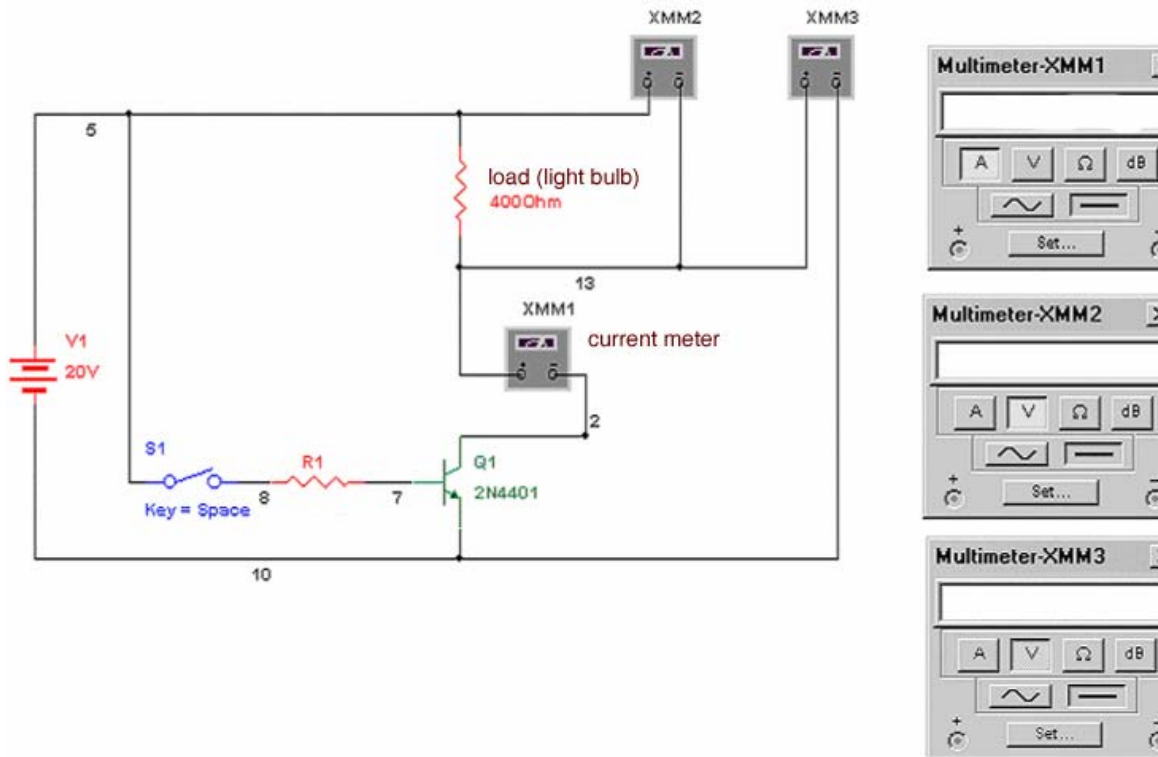
- (b) Reduce the input voltage amplitude to ~ 100 mV. Use the cursors to measure the input and output waveforms, at the maximum and minimum values. Reprot the peak-to-peak measurements. Calculate the ratio, including a minus sign if any, and report this as the gain. Repeat for $R_C = 2$ k and $R_C = 5$ k. Compare to the theoretical values. Report your results in a table, similar to this:

	Measured peak-to-peak input	Measured peak-to-peak output	Measured gain	Theoretical gain
$R_C = 2$ k				
$R_C = 5$ k				
$R_C = 10$ k				

² Note: be sure that *all* your attached printouts are labeled by question number, for example one of your plots will be labeled “question 2 (d) ii, ac coupling” Label this in the lower-right hand corner of your printout. It’s okay to label it by hand.

- (2) Transistor switch. (Note: it is not necessary to attach any printouts for this problem.)

Solve the following problem on paper. You wish to make a transistor switch to turn a 1-Watt 20-Volt light bulb on and off. You wish to use a 2N4401 transistor to do this. You want to choose the base resistor R_b so that the transistor operates in the saturated mode when the base is connected to the positive side of the power supply. This is what you are to design. See Appendix K of Horowitz and Hill for the data sheet for this transistor.



- Find the ratio I_c / I_b for which saturation conditions are specified in the transistor spec sheet. (Look in the figures.)
- Calculate the collector current I_c passing through the light bulb, if it is to operate at its nominal parameters of 1 W at 20 V. Calculate the corresponding base current I_b , using the ratio that you found in the previous step.
- Find the value of the base-emitter diode drop, at saturation conditions, from one of the figures in the data sheet.

- (d) Calculate the voltage drop across the base resistor, when it is connected to the positive side of the power supply.
- (e) Calculate the corresponding value for the base resistor. We'll call this value R_{temp} .
- (f) The resistor value R_{temp} that you calculated is probably not a standard value. First decide whether to make the value larger or smaller than R_{temp} , based on the criterion that you would rather be farther into saturation, and not closer to normal mode operation, as a result of your adjustment. You will want to use a 5% tolerance resistor, so adjust R_{temp} either up or down by 5%, according to the direction you decided above. Then choose the nearest standard value for 5% transistors, again adjusting in the direction you decided above. Report your result.
- (g) Set this circuit up as a simulation, using Multisym, using the base resistor value that you found above. Measure the voltage across the load resistor and across the transistor, and measure the current flowing through these two devices. Calculate the power dissipated in both components, and fill out the table below. Please report your values in the units shown (don't use mV when it says V, for example):

Switch "ON"	Load resistor	Transistor
Voltage drop (V)		
Current (mA)		
Power dissipated (W)		

Now repeat with the base resistor disconnected, as shown in the screenshot above, to measure the conditions for "OFF."

Switch "OFF"	Load resistor	Transistor
Voltage drop (V)		
Current (mA)		
Power dissipated (W)		

Discuss in words the following two issues:

- (i) how do the tables above show that the switch turns the power in the load on and off, as desired?
- (ii) is the power dissipated in the transistor sufficiently low, compared to the maximum rating for the total device dissipation rating of this transistor (as indicated in the transistor's data sheet)?

29:128 Homework 3 (40 points)

reference: Chapter 4 of Horowitz and Hill, 2nd Edition

note: this homework assignment requires the use of MultiSym to simulate a circuit.

(1) Exercise 4.2 in text.

- Show that $I_{load} = -V_{in} / R_2$.
- Provide a consolidated list of the principles and/or rules that you invoke in your solution
- Note:
 - Be sure to recall that an opamp output can source or sink current
 - Do this on paper ... this problem does not require MultiSym.

(2) Exercise 4.3 in text. (Note: do this on paper ... this problem does not require MultiSym.)

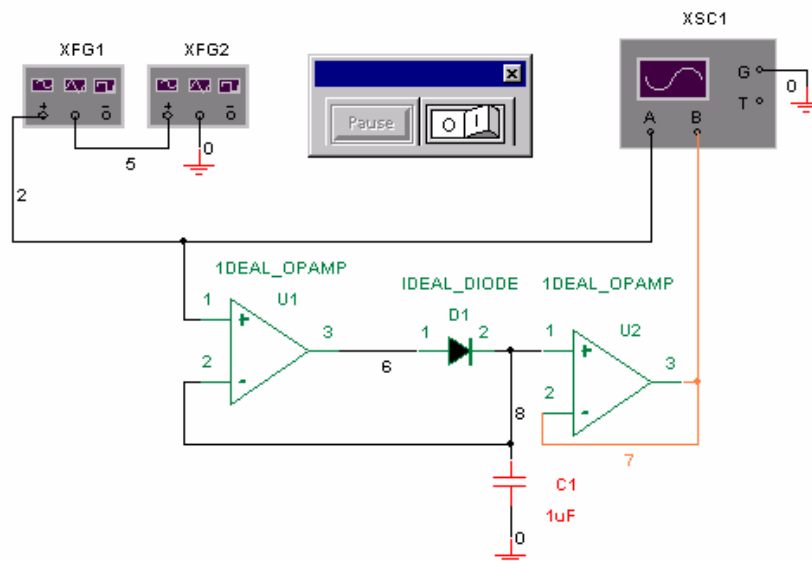
(a) For circuit A, show that gain = +1 with the switch in the follower position, and that gain = -1 with the switch in inverter position.

(b) Repeat, for circuit B.

(3) Exercise 4.5 in text. (Do this on paper ... this problem does not require MultiSym.)

(4) Active Peak Detector.

(a) Using Multisim, connect the circuit shown below. The two function generators should produce sine waves at 10 Hz and 160 Hz, each with an amplitude of 0.5 Volt. Use a “virtual” capacitor. Verify that the active peak detector works as shown in Figure 4.39 of the textbook. Attach printouts of your circuit diagram and the oscilloscope display (be sure to choose oscilloscope settings that are reasonable, and so that your result looks something like Figure 4.39. (If necessary,



- you can set the time step for the instruments using the “Simulate / Default Instrument Settings ...” menu.)
- (b) Repeat, but without the two op-amps, so that you have a passive peak-detector as shown in Figure 4.37 of the textbook. Attach printouts of your circuit diagram and the oscilloscope display. Explain why your results appear to be different from the active peak detector in part (a). This circuit has other disadvantages as well; identify one that cannot be simulated easily using Multisym.

29:128 Homework 4 (10 points)

- (1) Exercise 5.8 in text (Horowitz and Hill 2nd Edition). Show that the period of this 555 timer circuit is

$$T = 0.693 (R_A + 2 R_B) C.$$

Hint – review pp. 23-24 in text for capacitor charging.

29:128 Homework 5 (30 points)

Digital Electronics: Do the following exercises in the text (Horowitz and Hill 2nd Edition):

- (1) exercise 8.7
- (2) exercise 8.9
- (3) exercise 8.12