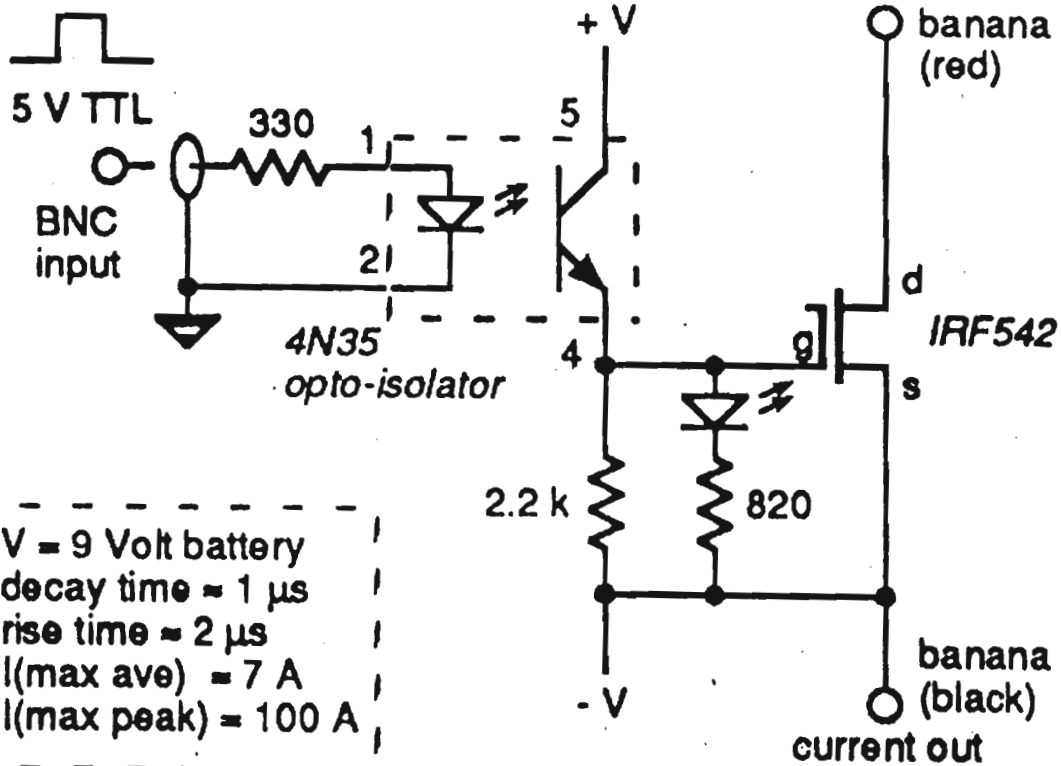


filament switch circuit



V = 9 Volt battery
decay time = 1 μ s
rise time = 2 μ s
I(max ave) = 7 A
I(max peak) = 100 A

filament circuit

